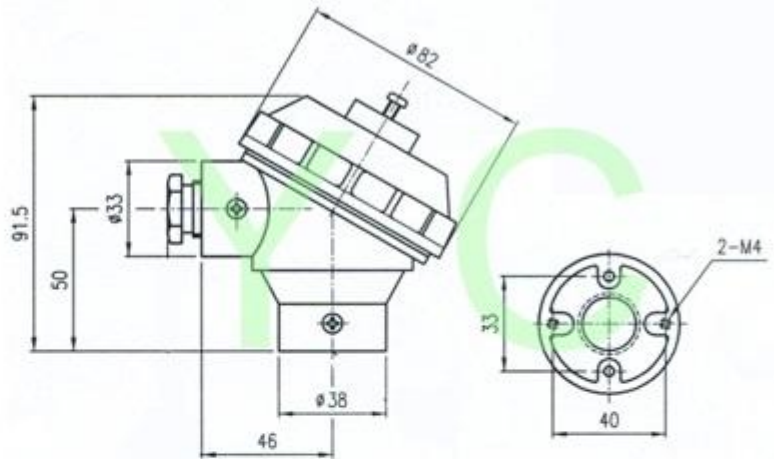
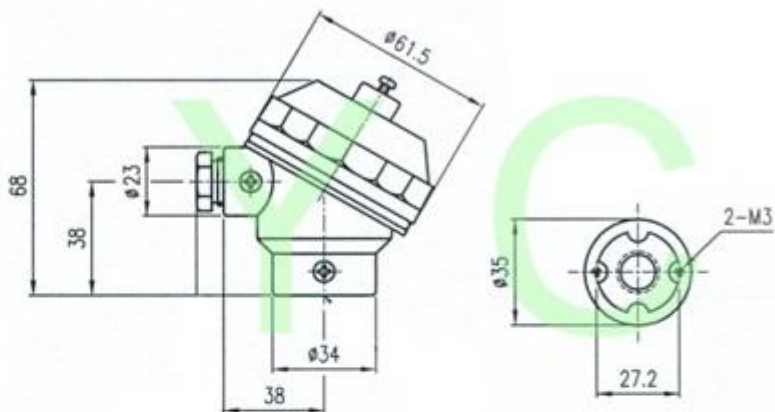


❖ KB



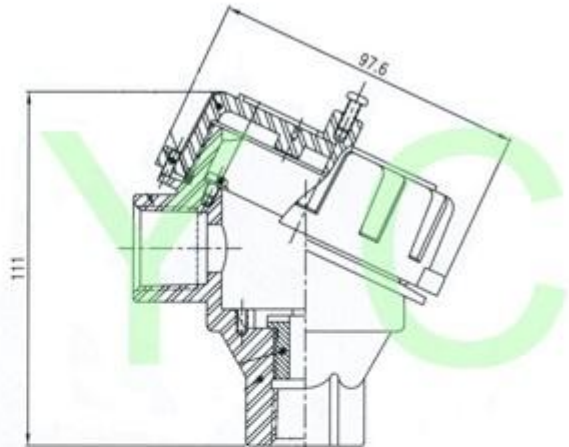
Material:	Bakelite
Rating/Certificate:	IP65 Rating
Weight:	140 g
Protection Tube Entry:	1/2" PF 1/2" NPT
Extension Wire Entry:	1/2" PF 1/2" NPT M20*1.5

❖ **KBS**



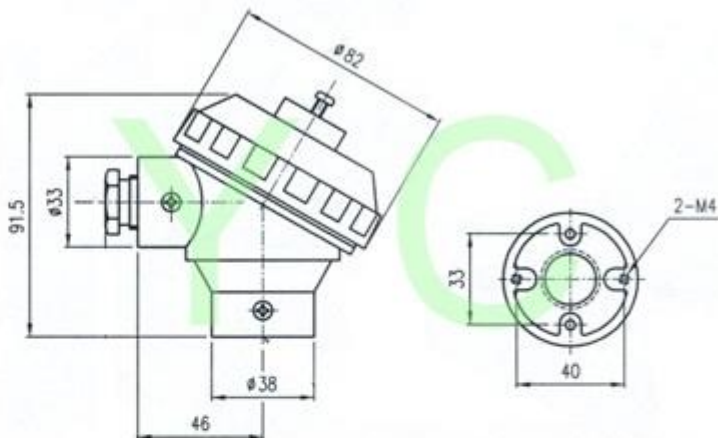
Material:	Bakelite
Rating/Certificate:	
Weight:	84 g
Protection Tube Entry:	1/4" PF 3/8" PF 1/2" PF M16 * 1.5
Extension Wire Entry:	3/8" PF

❖❖ XDA - Explosion Proof Head NEW



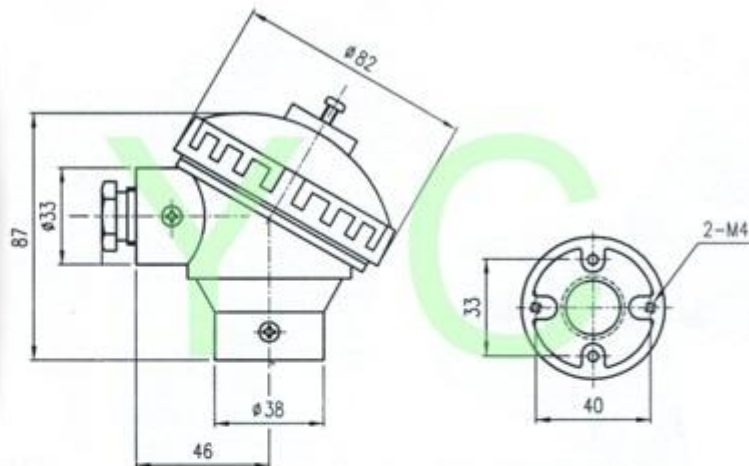
Material:	Alloy-Alluminum
Rating/Certificate:	ATEX Certified and FMCUS Certified
Weight:	460 g
Protection Tube Entry:	1/2" PF 3/4" PF 1/2" NPT 3/4" NPT 1/2" BSP 3/4" BSP 1/2" G 3/4" G M20*1.5 M24*1.5 M25*1.5
Extension Wire Entry:	M20*1.5 M25*1.5 1/2" NPT 3/4" NPT

❖ KNC



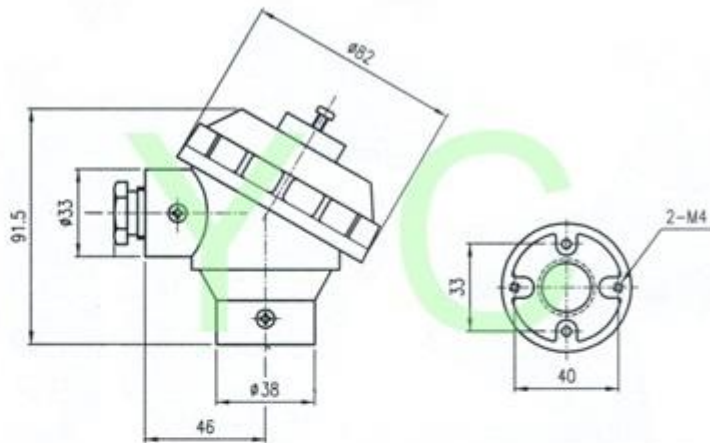
Material:	Alloy-Alluminum
Rating/Certificate:	IP68 Rating
Weight:	242 g
Protection Tube Entry:	1/2" PF 3/4" PF 1/2" NPT 3/4" NPT 1/2" BSP 3/4" BSP M20*1.5 M24*1.5
Extension Wire Entry:	1/2" PF 3/4" PF 1/2" NPT 3/4" NPT 1/2" BSP 3/4" BSP M20*1.5

❖ **KNE**



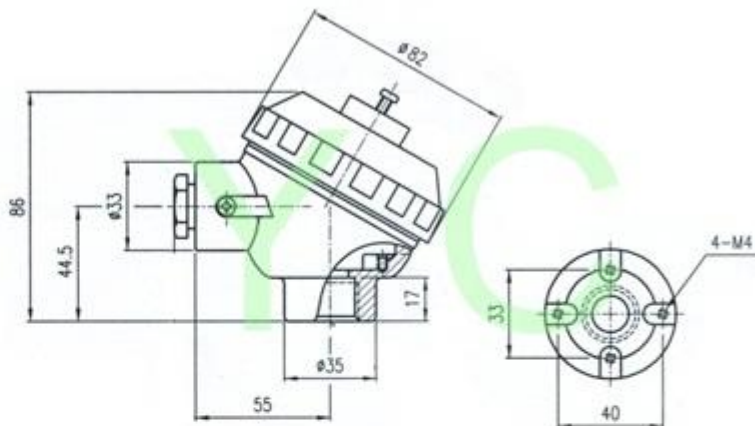
Material:	Alloy-Alluminum
Rating/Certificate:	IP68 Rating
Weight:	232 g
Protection Tube Entry:	1/2" PF 3/4" PF 1/2" NPT 3/4" NPT 1/2" BSP 3/4" BSP M20*1.5 M24*1.5
Extension Wire Entry:	1/2" PF 3/4" PF 1/2" NPT 3/4" NPT 1/2" BSP 3/4" BSP M20*1.5

❖ KNY



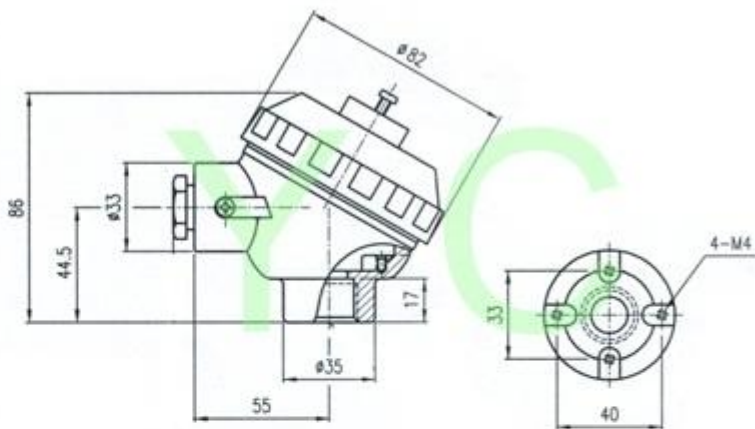
Material:	Alloy-Alluminum
Rating/Certificate:	IP68 Rating
Weight:	238 g
Protection Tube Entry:	1/2" PF 3/4" PF 1/2" NPT 3/4" NPT 1/2" BSP 3/4" BSP M20*1.5 M24*1.5
Extension Wire Entry:	1/2" PF 3/4" PF 1/2" NPT 3/4" NPT 1/2" BSP 3/4" BSP M20*1.5

❖❖ KNA-C



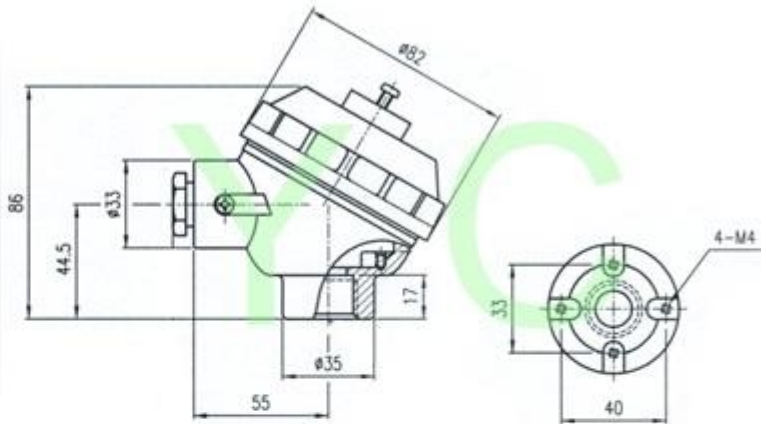
Material:	Alloy-Alluminum
Rating/Certificate:	IP68 Rating
Weight:	292 g
Protection Tube Entry:	1/2" PF 3/4" PF 1/2" NPT 3/4" NPT 1/2" BSP 3/4" BSP M20*1.5 M24*1.5
Extension Wire Entry:	1/2" PF 3/4" PF 1/2" NPT 3/4" NPT 1/2" BSP 3/4" BSP M20*1.5

❖ KNA-C



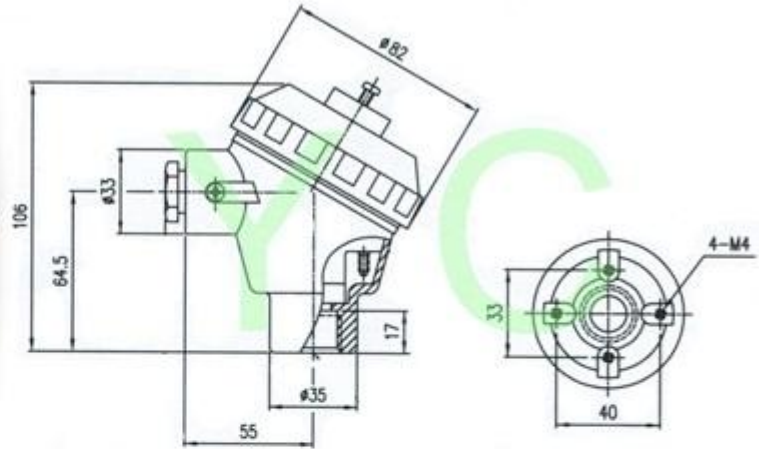
Material:	Alloy-Alluminum
Rating/Certificate:	IP67 Rating
Weight:	292 g
Protection Tube Entry:	1/2" PF 3/4" PF 1/2" NPT 3/4" NPT 1/2" BSP 3/4" BSP M20*1.5 M24*1.5
Extension Wire Entry:	1/2" PF 3/4" PF 1/2" NPT 3/4" NPT 1/2" BSP 3/4" BSP M20*1.5

❖❖ KNA-Y



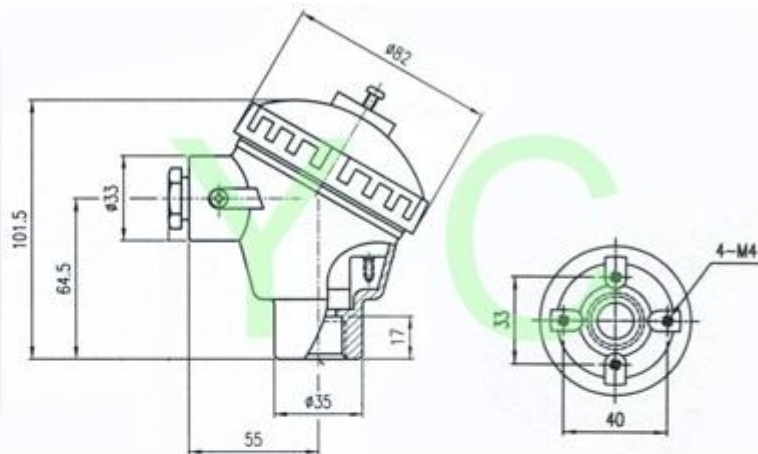
Material:	Alloy-Alluminum
Rating/Certificate:	IP68 Rating
Weight:	312 g
Protection Tube Entry:	1/2"PF 3/4"PF 1/2"NPT 3/4"NPT 1/2"BSP 3/4"BSP M20*1.5 M24*1.5
Extension Wire Entry:	1/2"PF 3/4"PF 1/2"NPT 3/4"NPT 1/2"BSP 3/4"BSP M20*1.5

❖ KNL-C



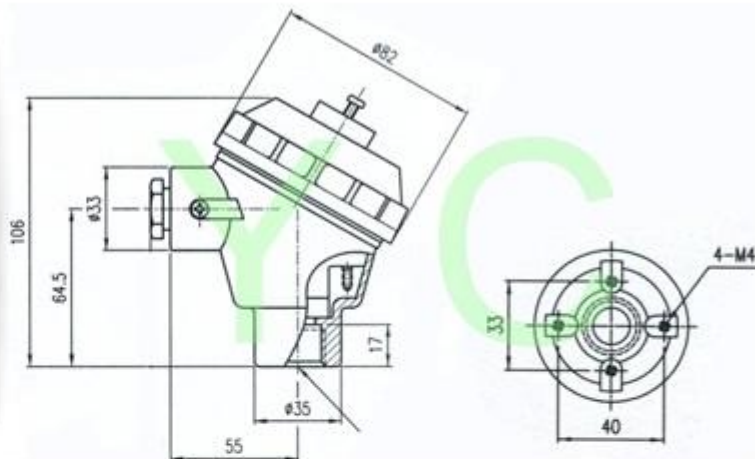
Material:	Alloy-Alluminum
Rating/Certificate:	IP68 Rating
Weight:	308 g
Protection Tube Entry:	1/2" PF 3/4" PF 1/2" NPT 3/4" NPT 1/2" BSP 3/4" BSP M20*1.5 M24*1.5
Extension Wire Entry:	1/2" PF 3/4" PF 1/2" NPT 3/4" NPT 1/2" BSP 3/4" BSP M20*1.5

❖❖ KNL-E



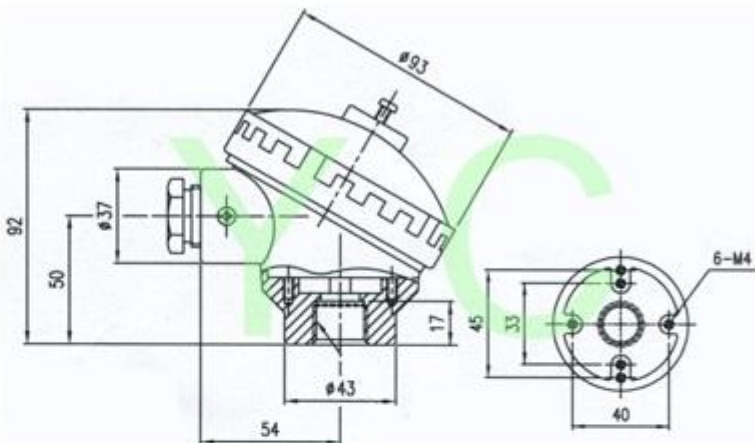
Material:	Alloy-Alluminum
Rating/Certificate:	IP68 Rating
Weight:	308 g
Protection Tube Entry:	1/2" PF 3/4" PF 1/2" NPT 3/4" NPT 1/2" BSP 3/4" BSP M20*1.5 M24*1.5
Extension Wire Entry:	1/2" PF 3/4" PF 1/2" NPT 3/4" NPT 1/2" BSP 3/4" BSP M20*1.5

❖ KNL-Y



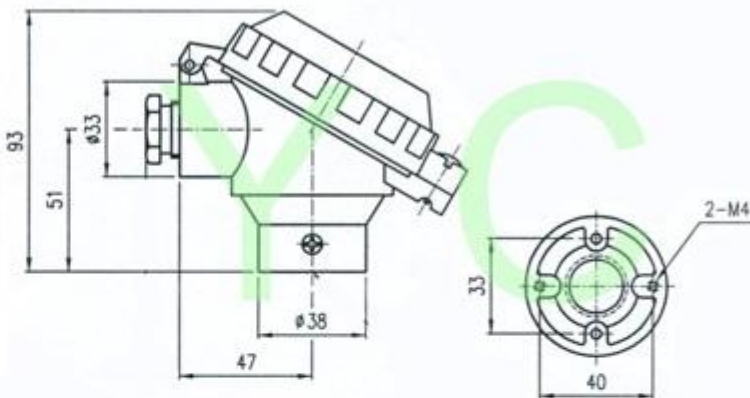
Material:	Alloy-Alluminum
Rating/Certificate:	IP68 Rating
Weight:	312 g
Protection Tube Entry:	1/2" PF 3/4" PF 1/2" NPT 3/4" NPT 1/2" BSP 3/4" BSP M20*1.5 M24*1.5
Extension Wire Entry:	1/2" PF 3/4" PF 1/2" NPT 3/4" NPT 1/2" BSP 3/4" BSP M20*1.5

❖❖❖ **KNG**



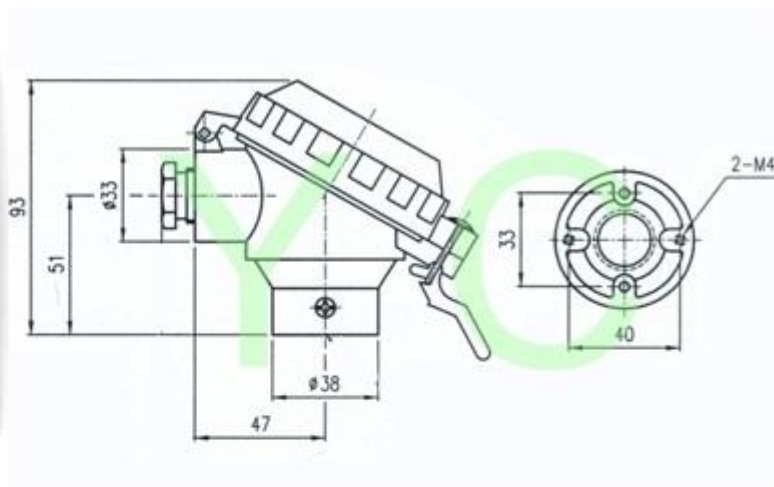
Material:	Alloy-Alluminum
Rating/Certificate:	IP68 Rating
Weight:	380 g
Protection Tube Entry:	1/2" PF 3/4" PF 1/2" NPT 3/4" NPT 1/2" BSP 3/4" BSP M20*1.5 M24*1.5
Extension Wire Entry:	1/2" PF 3/4" PF 1/2" NPT 3/4" NPT 1/2" BSP 3/4" BSP M20*1.5

❖❖ KNP(S)



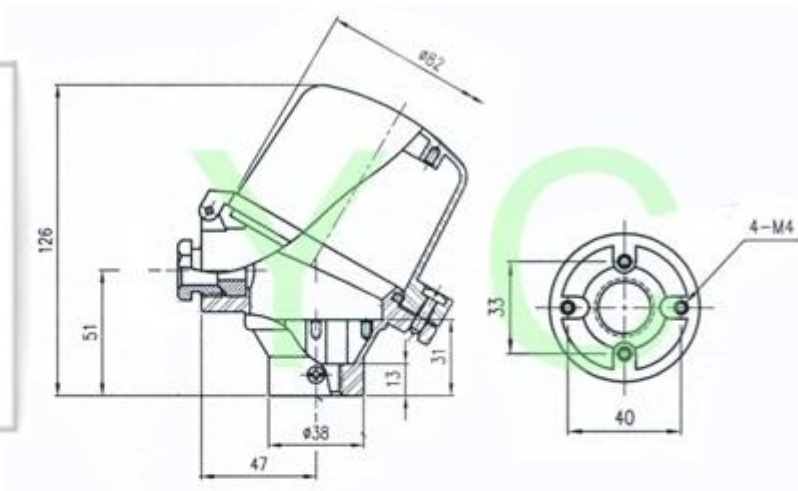
Material:	Alloy-Alluminum
Rating/Certificate:	IP68 Rating
Weight:	222 g
Protection Tube Entry:	1/2" PF 3/4" PF 1/2" NPT 3/4" NPT 1/2" BSP 3/4" BSP M20*1.5 M24*1.5
Extension Wire Entry:	1/2" PF 3/4" PF 1/2" NPT 3/4" NPT 1/2" BSP 3/4" BSP M20*1.5

❖ KNP(L)

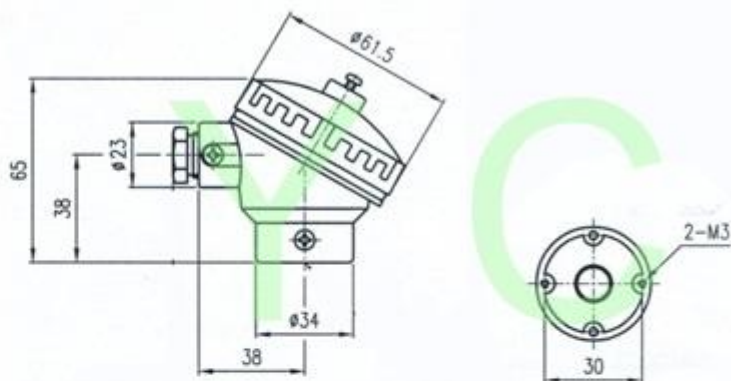


Material:	Alloy-Alluminum
Rating/Certificate:	IP68 Rating
Weight:	234 g
Protection Tube Entry:	1/2" PF 3/4" PF 1/2" NPT 3/4" NPT 1/2" BSP 3/4" BSP M20*1.5 M24*1.5
Extension Wire Entry:	1/2" PF 3/4" PF 1/2" NPT 3/4" NPT 1/2" BSP 3/4" BSP M20*1.5

❖❖ KNH(S)

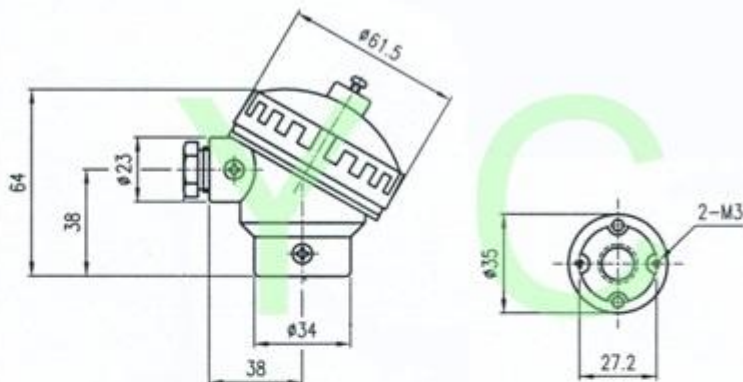


Material:	Alloy-Alluminum
Rating/Certificate:	IP68 Rating
Weight:	290 g
Protection Tube Entry:	1/2" PF 3/4" PF 1/2" NPT 3/4" NPT 1/2" BSP 3/4" BSP M20*1.5 M24*1.5
Extension Wire Entry:	1/2" PF 3/4" PF 1/2" NPT 3/4" NPT 1/2" BSP 3/4" BSP M20*1.5



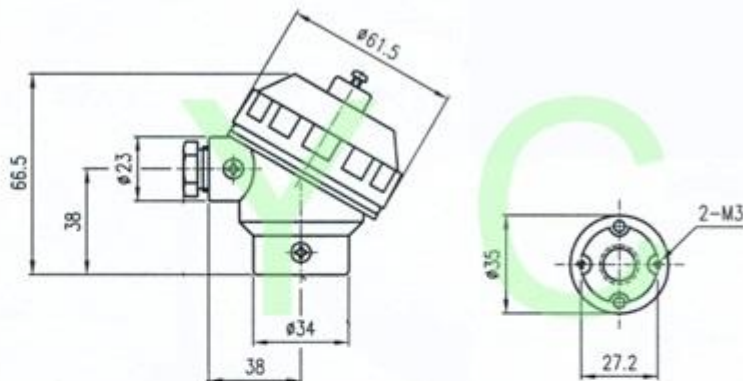
Material:	Alloy-Alluminum
Rating/Certificate:	IP67 Rating
Weight:	126 g
Protection Tube Entry:	1/2" PF M12*10 1/4"NPT 1/2" BSP 1/4" BSP 1/4" PF
Extension Wire Entry:	3/8" PF 3/8" BSP 3/8" NPT M16*1.5

❖❖ KSE



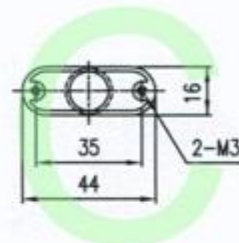
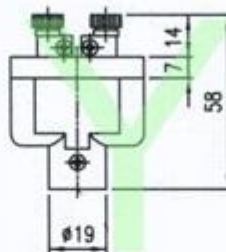
Material:	Alloy-Alluminum
Rating/Certificate:	IP68 Rating
Weight:	122 g
Protection Tube Entry:	1/2" PF 1/4" PF 1/2" BSP 1/4" BSP 1/2" NPT 1/4" NPT
Extension Wire Entry:	3/8" PF 3/8" BSP 3/8" NPT M16*1.5

❖ KSC



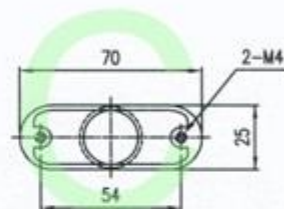
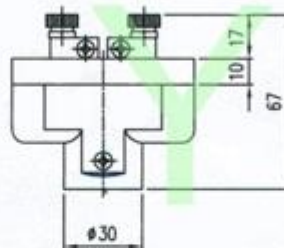
Material:	Alloy-Alluminum
Rating/Certificate:	IP67 Rating
Weight:	130 g
Protection Tube Entry:	1/2" PF 1/4" PF 1/2" BSP 1/4" BSP 1/2" NPT 1/4" NPT
Extension Wire Entry:	3/8" PF 3/8" BSP 3/8" NPT M16 * 1.5

❖ TS-2PB



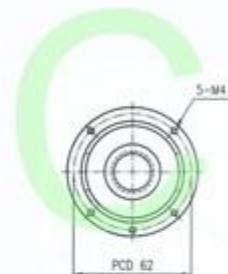
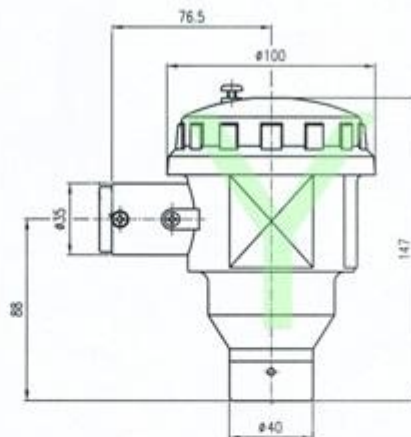
Material:	Alloy-Alluminum
Rating/Certificate:	
Weight:	44 g
Protection Tube Entry:	1/4" PF 5m/m 1/4" NPT

» TL-2PA



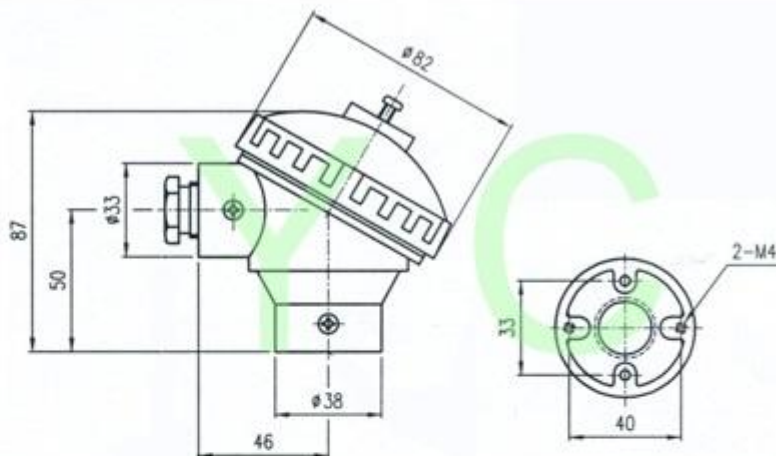
Material:	Alloy-Alluminum
Rating/Certificate:	
Weight:	142 g
Protection Tube Entry:	1/2" PF 1/2" NPT 1/2" G

❖❖ KT



Material:	Alloy-Alluminum
Rating/Certificate:	
Weight:	620 g
Protection Tube Entry:	1/2" PF 1/2" BSP 1/2" NPT
Extension Wire Entry:	1/2" PF 1/2" BSP 1/2" NPT 3/4" PF 3/4" NPT

KNN



Material:	Nylon + Glass Fiber
Rating/Certificate:	IP65 Rating
Weight:	120 g
Protection Tube Entry:	1/2" PF 1/2" NPT 1/2" BSP
Extension Wire Entry:	1/2" PF 1/2" NPT 3/4" NPT M20*1.5