

**web control**

**SEAMING MACHINE**

**K1**



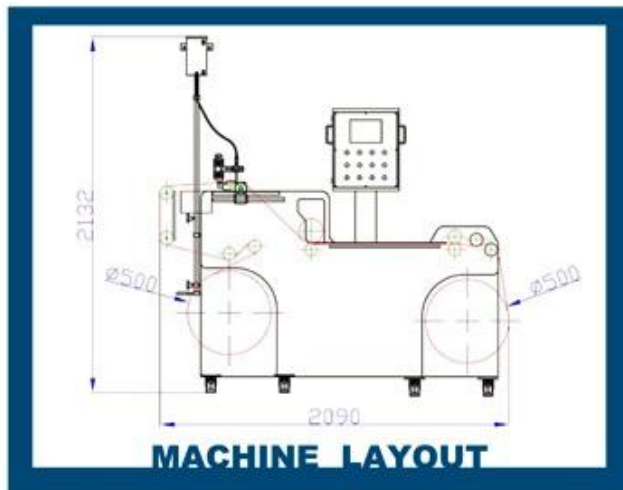
**KARLVILLE**  
BEYOND CONVERTING

# web control

- Unwind Edge Guide System
- Adjustable Plate Forming System
- Semi-automatic Tension Control
- Rewind Oscillation
- Touchscreen Control

## STANDARD SPECIFICATIONS

Unwind Width	420mm
Unwind Diameter	500mm
Rewind width	55-200mm
Rewind Diameter	500mm
Machine Speed	200m/min.



### KARLVILLE DEVELOPMENT LLC

175 SW 7th Street, Suite#2103  
Miami, FL 33130  
Phone: +1.305.533.1051  
Fax: +1.786.329.5696  
[www.Karlville.com](http://www.Karlville.com)

### WEBCONTROL MACHINERY CORP.

No.1, Jingke 7th Rd., Taichung Precision Machinery Park,  
Taichung, TAIWAN, 40852  
Phone: +886.4.23587272  
Fax: +886.4.23580882  
[www.webcontrol.com.tw](http://www.webcontrol.com.tw)