

web control

DOCTOR REWINDING MACHINE

D3



KARLVILLE

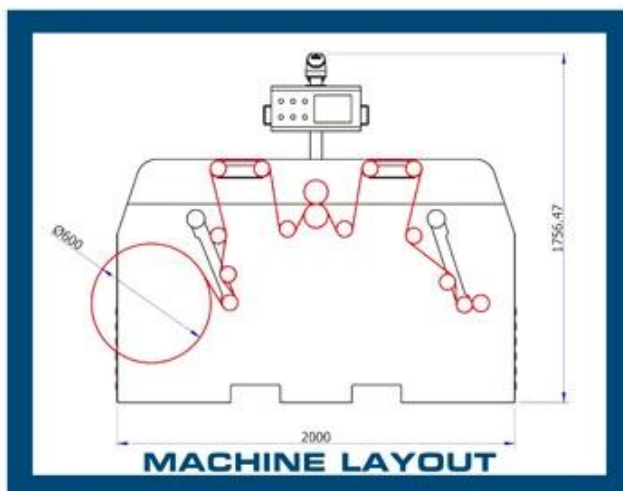
BEYOND CONVERTING

web control

- High Speed Roll Doctoring with Precision
- Forward and Backward Operation
- Unwind and Rewind Edge Guides
- Closed Loop Tension Control
- Pneumatic Lay-on Rollers

STANDARD SPECIFICATIONS

Unwind Width	30 - 300mm
Unwind Diameter	600mm
Rewind Width	30 - 300mm
Rewind Diameter	600mm
Machine Speed	400m/min (Depend on width & quality of film)



KARLVILLE DEVELOPMENT LLC

175 SW 7th Street, Suite#2103
Miami, FL 33130
Phone: +1.305.533.1051
Fax: +1.786.329.5696
www.Karlville.com

WEBCONTROL MACHINERY CORP.

No.1, Jingke 7th Rd., Taichung Precision Machinery Park,
Taichung, TAIWAN, 40852
Phone: +886.4.23587272
Fax: +886.4.23580882
www.webcontrol.com.tw